



Report No. LCS210305005CK

Total pages: 8

Test Report

Sample Name	: Tri-proof LED Tube
Sample Model	: WP2K-T8-09W-D, WP3K-T8-09W-D, WP3K-T8-15W-D WP4K-T8-15W-D, WP5K-T8-15W-D, WP4K-T8-18W-D WP5K-T8-18W-D, WP6K-T8-18W-D, WP4K-T8-20W-D WP5K-T8-20W-D, WP6K-T8-20W-D, WP5K-T8-24W-D WP6K-T8-24W-D, WP5K-T8-28W-D, WP6K-T8-28W-D WP5K-T8-30W-D, WP6K-T8-30W-D, WP6K-T8-36W-D
Inspection Classification	: Commission test
Manufacturer	: Shenzhen AMB Technology Co., Ltd
Client	: Shenzhen AMB Technology Co., Ltd



Guangzhou LCS Compliance Testing Laboratory Ltd.



广州立讯检测有限公司 | 地址：广州市番禺区石碁镇先锋北路 44-1
Guangzhou LCS Compliance Testing Laboratory Ltd.
Add: No 44-1, Qianfeng North Road, Shiqi, Panyu District, Guangzhou, Guangdong, China
Tel : +(86) 020-39166689 | Fax : +(86) 020-39166619 E-mail : webmaster@lcs-cert.com | http:// www.lcs-cert.com




Report No. LCS210305005CK

Total pages: Page 1 of 8

Test Report

Client : Shenzhen AMB Technology Co., Ltd
Address : Building 3, Huaqiang Logistics Industrial Park, Qingfeng Road, Baolong Community, Longgang District, Shenzhen, Guangdong, China
Manufacturer : Shenzhen AMB Technology Co., Ltd
Address : Building 3, Huaqiang Logistics Industrial Park, Qingfeng Road, Baolong Community, Longgang District, Shenzhen, Guangdong, China

The following sample(s) and sample information was/were submitted and identified by/on the behalf of the client:

Sample Name : Tri-proof LED Tube
: WP2K-T8-09W-D, WP3K-T8-09W-D, WP3K-T8-15W-D, WP4K-T8-15W-D, WP5K-T8-15W-D, WP4K-T8-18W-D, WP5K-T8-18W-D, WP6K-T8-18W-D,
Sample Model : WP4K-T8-20W-D, WP5K-T8-20W-D, WP6K-T8-20W-D, WP5K-T8-24W-D, WP6K-T8-24W-D, WP5K-T8-28W-D, WP6K-T8-28W-D, WP5K-T8-30W-D, WP6K-T8-30W-D, WP6K-T8-36W-D
Sample Quantity : 2PCS
Sample tested Status : Normal
Sample received Date : Apr. 26, 2021
Sample tested Date : Apr. 27, 2021
Trade mark : 

Test result information:

Test item : IP69K
Test standard : ISO 20653-2013
Test result : PASS

Sound chen

Edited by Sound Chen
Apr. 30, 2021

Caps Li

Checked by Caps Li
Apr. 30, 2021


Approved by Kizard Zhang
Apr. 30, 2021



广州立讯检测有限公司 | 地址 : 广州市番禺区石碁镇前峰北路 44-1
Guangzhou LCS Compliance Testing Laboratory Ltd.
Add: No 44-1, Qianfeng North Road, Shiqi, Panyu District, Guangzhou, Guangdong, China
Tel : +(86) 020-39166689 | Fax : +(86) 020-39166619 E-mail : webmaster@lcs-cert.com | http:// www.lcs-cert.com



Test Report

Test Item 1: IP6KX test

1) Environment conditions:

Temperature: 25.5 °C Humidity: 57%RH

2) Tested Sample:

Sample No.	Sample Name	Sample Type	Sample Quantity
LCS210305005CK-001	Tri-proof LED Tube	WP2K-T8-09W-D	1PC

Remark: All models are identical including dustproof structure; the report choose the model WP2K-T8-09W-D as the main test model. other models testing result refer to the model WP2K-T8-09W-D.

3) Reference Basis: ISO 20653:2013

4) Test Condition:

- Dust Type: Arizona Dust;
- Dust quantity: 2kg/m² ;
- Testing time: 6s Air/dust mixture movement, interrupted for 15 minutes, for 20 cycles.

5) Test Equipment:

Sequence	Equipment Name	Serial No.	Valid Date to
1	Dustproof Test Box	JY-SC-1000	May 19, 2021

6) Test Results:

Sample No.	Test Results	Judgement
LCS210305005CK-001	After the test, the sample appearance had no damage, no dust enter into the sample, and the sample function was normal.	PASS





Test Report

Sample Photo before the Test:



Sample Photo during the Test:



Sample Photo after the Test:



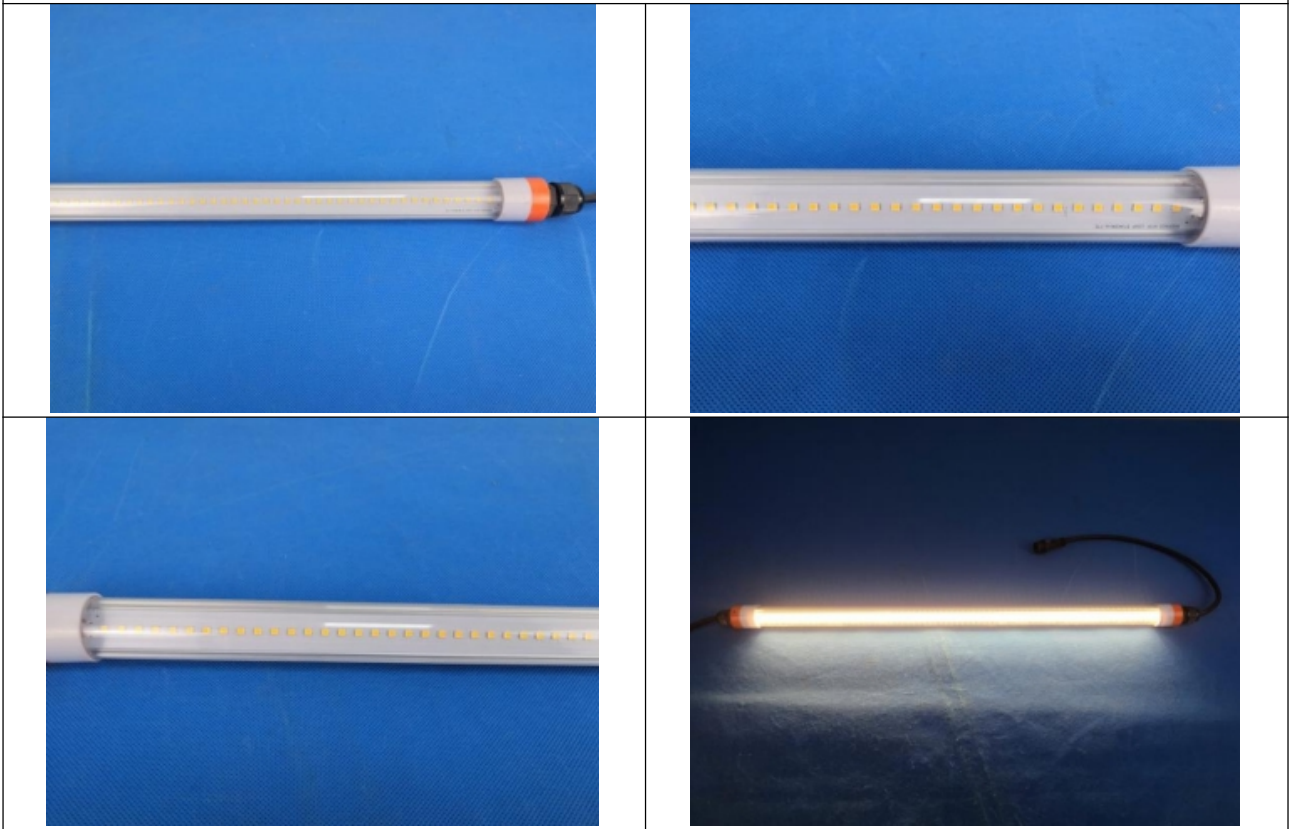


Report No. LCS210305005CK

Total pages: Page 4of 8

Test Report

Sample Photo after the Test:



广州立讯检测有限公司 | 地址：广州市番禺区石碁镇先锋北路 44-1
Guangzhou LCS Compliance Testing Laboratory Ltd.

Add: No 44-1, Qianfeng North Road, Shiqi, Panyu District, Guangzhou, Guangdong, China

Tel : +(86) 020-39166689 | Fax : +(86) 020-39166619 E-mail : webmaster@lcs-cert.com | [http:// www.lcs-cert.com](http://www.lcs-cert.com)



Test Report

Test Item 2: IPX9K test

1) Environment conditions:

Temperature: 26.3 °C Humidity: 58%RH

2) Tested Sample:

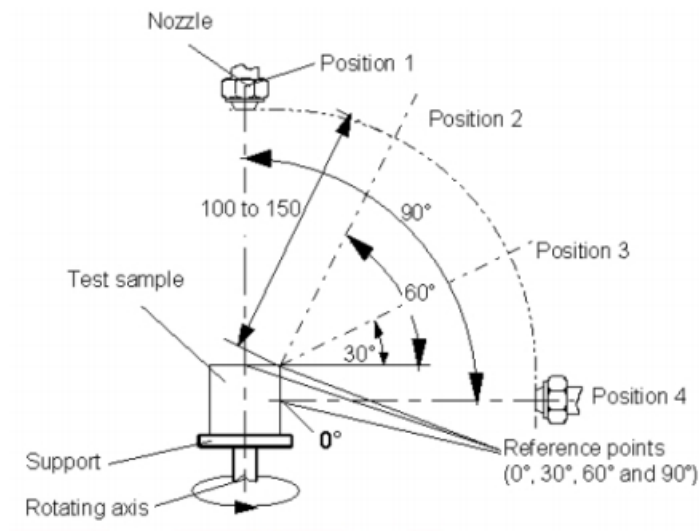
Sample No.	Sample Name	Sample Type	Sample Quantity
LCS210305005CK-002	Tri-proof LED Tube	WP2K-T8-09W-D	1PC

Remark: All models are identical including waterproof structure; the report choose the model WP2K-T8-09W-D as the main test model. other models testing result refer to the model WP2K-T8-09W-D.

3) Reference Basis: ISO 20653-2013

4) Test Condition:

1. Water temperature: $80 \pm 5^{\circ}\text{C}$;
2. Pressure: (8000~10000)kPa;
3. Water flow: 14~16L/min;
4. Distance: 10~15cm;
5. Angle and time: 0° , 30° , 60° , 90° , 30S per angle.



5) Test Equipment:

Sequence	Equipment Name	Serial No.	Valid Date to
1	High temperature and high pressure spray waterproof test box	TL-IPX9K-1000	May 19, 2021



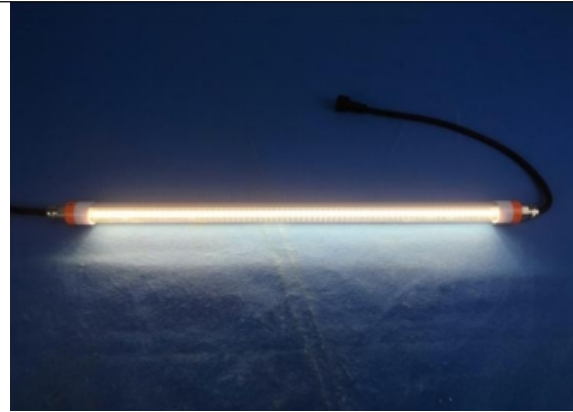
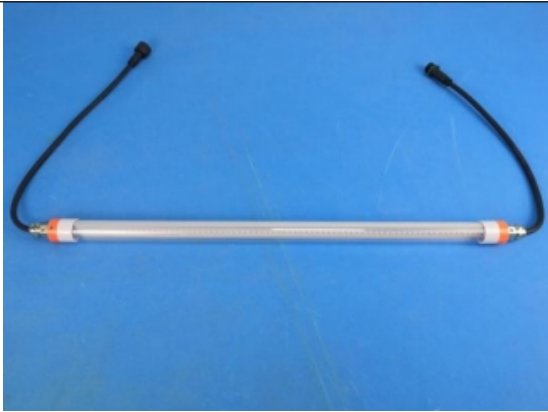


Test Report

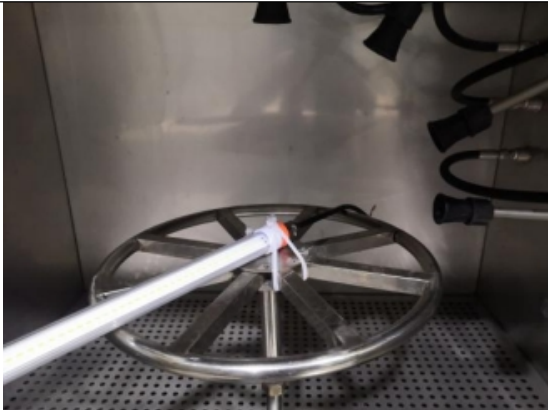
6) Test Results:

Sample No.	Test Results	Judgement
LCS210305005CK-002	After the test,the sample appearance had no damage,no water enter into the sample,and the sample function was normal.	PASS

Sample Photo before the Test:



Sample Photo during the Test:





Test Report

Sample Photo after the Test:





Report No. LCS210305005CK

Total pages: Page 8 of 8

Test Report

NOTES:

1. The report be without test report seal is considered as INVALID.
2. The content of reports cannot be copied without written consent of lab.
3. The report will be invalid without signature of testing person, review person and approved person.
4. Report will be invalid if altered.
5. If there is any objection to the test report, it should be submitted to the lab within 15 days. Otherwise, objection invalid.
6. Lab is responsible to the testing samples only.
7. The report is only for use of internal by customer or scientific research.

Add: No 44-1, Qianfeng North Road, Shiqi, Panyu District, Guangzhou, Guangdong, China

Tel: 86-020-39166689

P.C: 511450

Fax: 86-020-39166619

URL: www.lcs-cert.com

**** End of Report ****



广州立讯检测有限公司 | 地址：广州市番禺区石碁镇先锋北路 44-1
Guangzhou LCS Compliance Testing Laboratory Ltd.

Add: No 44-1, Qianfeng North Road, Shiqi, Panyu District, Guangzhou, Guangdong, China

Tel : +(86) 020-39166689 | Fax : +(86) 020-39166619 E-mail : webmaster@lcs-cert.com | [http:// www.lcs-cert.com](http://www.lcs-cert.com)